

see what Delta can do™

KITCHEN FAUCETS

- Delta® Collection
- Single Handle Pull-Down

FEATURES:

- Touch-Clean® Technology
- DIAMOND Seal® Technology
- MagnaTite® Docking System
- 3-Function Pull-Down w/ShieldSpray™

STANDARD SPECIFICATIONS:

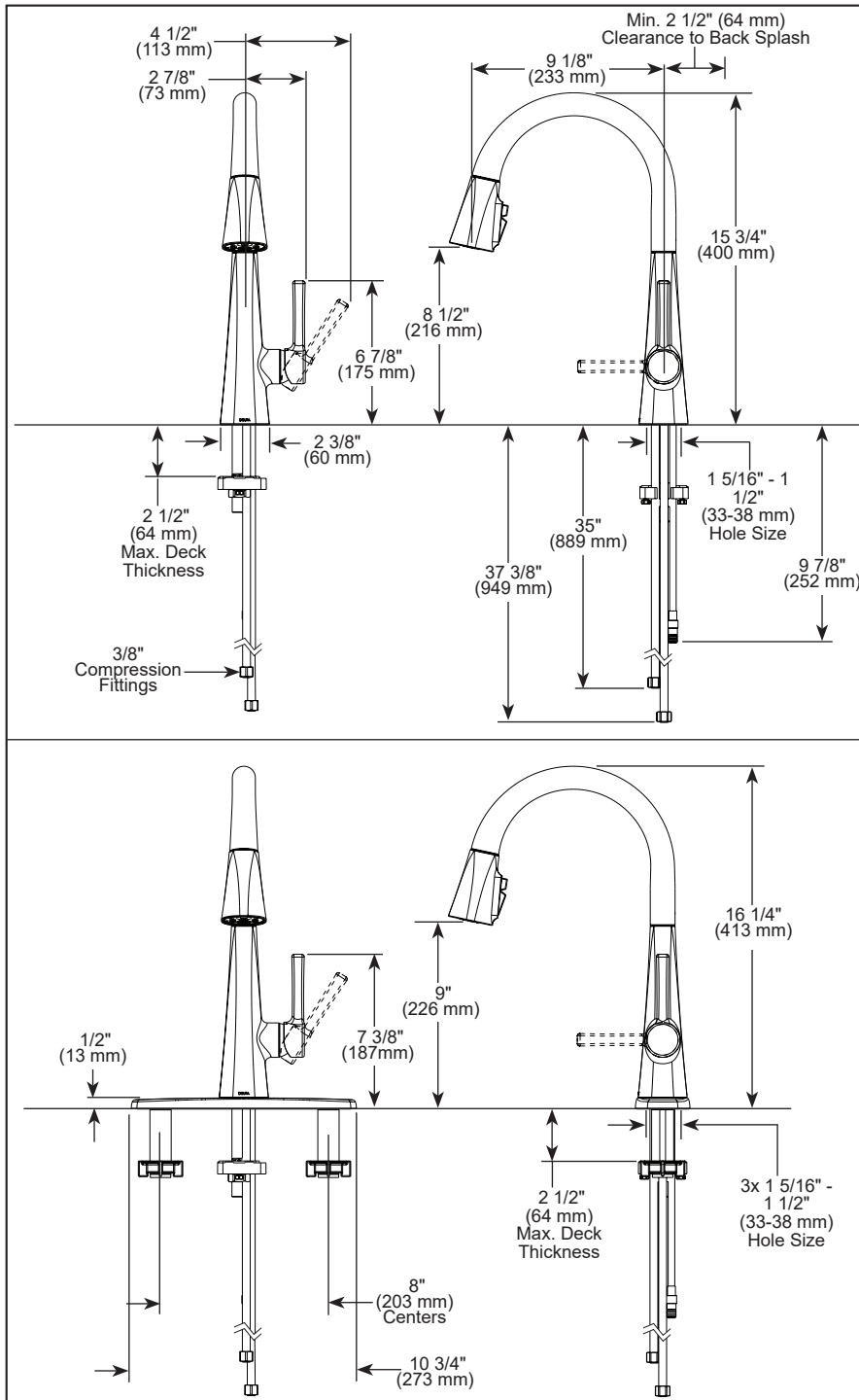
- Max flow rate 1.8 gpm @ 60 psi, 6.8 L/min @ 414 kPa
- One or three hole mount (escutcheon optional, included)
- Diamond coated ceramic cartridge
- 3/8" O.D. straight, staggered PEX supply lines
- Spout rotates 360°
- Hot/cold indicator markings
- Dual integral check valves in sprayer assembly
- Three-function wand; Aerated stream, spray or ShieldSpray™

WARRANTY

- Parts and Finish - Lifetime limited warranty; or for commercial purchasers, 10 years for multi-family residential (apartments and condominiums) and 5 years for all other commercial uses, in each case from the date the product is received by the original purchaser or their authorized representative (installation contractor, etc.).
- Electronic Parts and Batteries (if applicable) - 5 years from the date the product is received by the original purchaser or their authorized representative (installation contractor, etc.); or for commercial purchasers, 1 year from the date the product is received by the original purchaser or their authorized representative (installation contractor, etc.). No warranty is provided on batteries.
- Please go to www.deltafaucet.com for the complete details of our limited warranty.

COMPLIES WITH:

- ASME A112.18.1 / CSA B125.1
- ICC/ANSI A117.1 - Valve control only

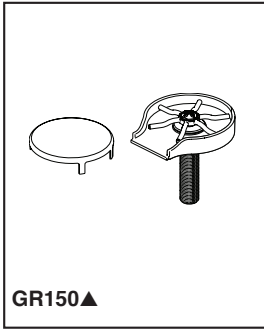


▲ Designate proper finish suffix

Delta Faucet Company reserves the right (1) to make changes in specifications and materials, and (2) to change or discontinue models, both without notice or obligation. Dimensions are for reference only. See current full-line price book or www.deltafaucet.com for finish options and product availability.

Delta Faucet Company

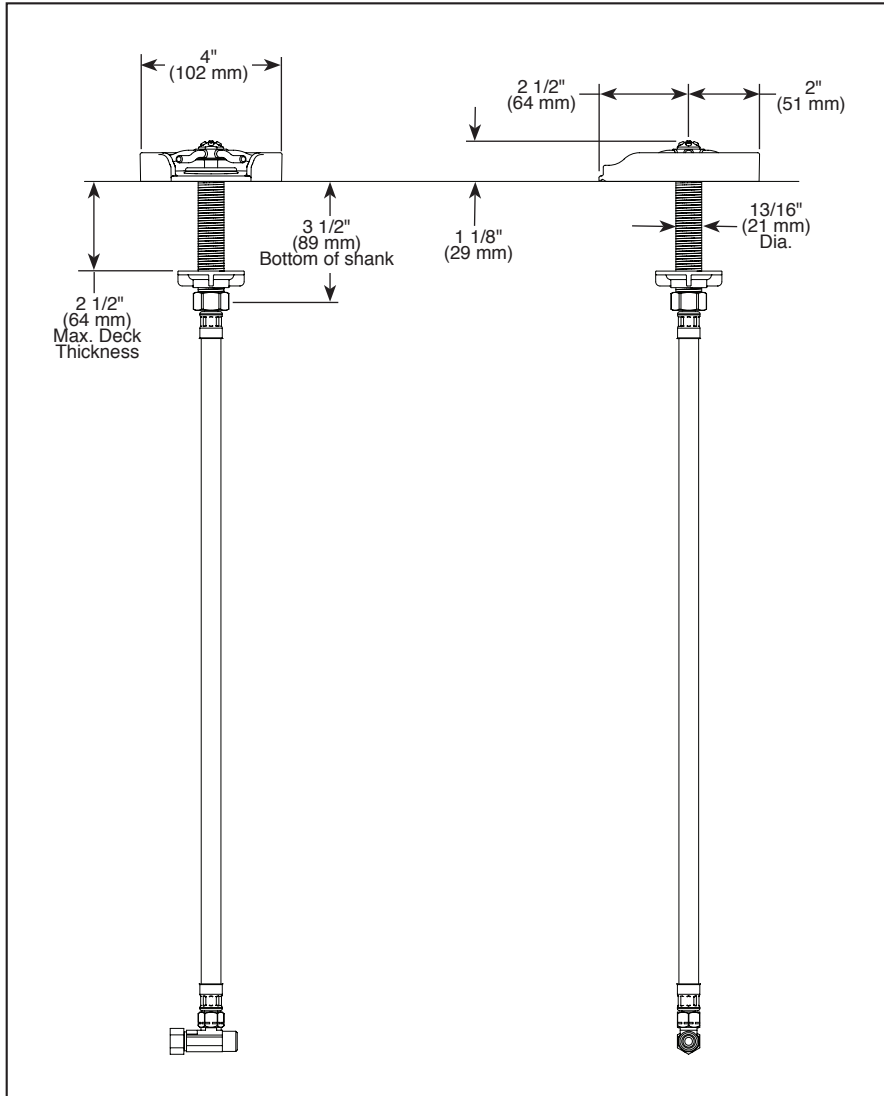
55 E. 111th Street, Carmel, IN 46280
 350 South Edgeware Road, St. Thomas, ON N5P 4L1
 © 2024 Delta Faucet Company



GR150▲

Submitted Model No.: _____

Specific Features: _____



▲ Designate proper finish suffix



see what Delta can do™

GLASS RINSER

STANDARD SPECIFICATIONS:

- Maximum 1.2 gpm @ 60 psi, 4.5 L/min @ 414 kPa
- May connect to either hot or cold supply
- 42" supply line and adapter tee included for connecting to water supply
- Models include cover
- Optional spacer for sinks with raised ledges

WARRANTY

- Parts and Finish - Lifetime limited warranty; or for commercial purchasers, 10 years for multi-family residential (apartments and condominiums) and 5 years for all other commercial uses, in each case from the date of purchase.
- Electronic Parts and Batteries (if applicable) - 5 years from the date of purchase; or for commercial purchasers, 1 year from the date of purchase. No warranty is provided on batteries.

COMPLIES WITH:

- ASME A112.18.1 / CSA B125.1